

# DATA SHEET TODDLER SEESAW FELIX

Text for invitation to tender | Item No: 51 2516 401

## MATERIALS | SCOPE OF SUPPLY

Seesaw, pre-mounted completely

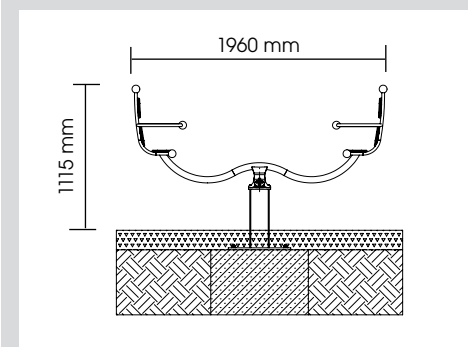
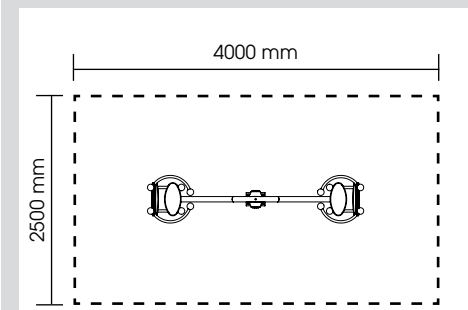
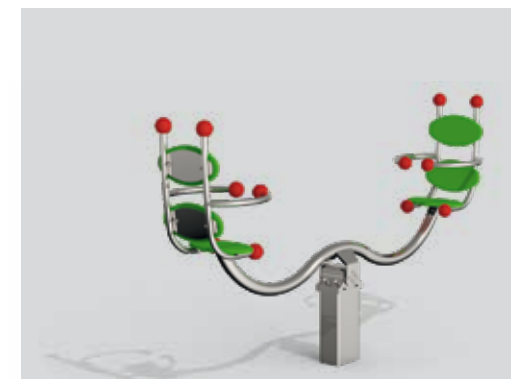
Tubular frame:	stainless steel, V2A, 1 piece
Seat plates:	EPDM caoutchouc with steel inlay, 6 pieces
Handles:	stainless steel, V2A, 4 pcs
Tube end cap:	balls made of EPDM caoutchouc, 12 pcs
Spring:	torsion spring made of steel with rubber core, 1 piece
Foundation plate:	steel, coated

## TECHNICAL INFORMATION

Dimensions:

Main dimension:	1960 x 430 mm
Height:	1115 mm
Weight:	66 kg
Capacity:	acc. to normative requirements
Dimension largest piece:	1960 x 480 x 1265 mm
Heaviest piece:	66 kg

Max. fall height:	750 mm
Impact area:	10,00 m <sup>2</sup>
Required safety slabs:	10,00 m <sup>2</sup>
Required lawn grating:	12,00 m <sup>2</sup>
Recommended surface material:	grass, synth. impact protection



## INSTALLATION

Foundations: 1  
Modified installation depth possible  
(special edition)

Installation according to our detailed mounting  
instructions, see [www.stilum.com](http://www.stilum.com)

